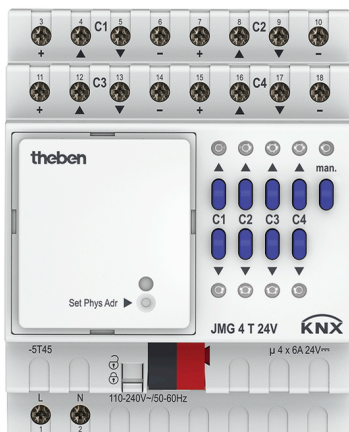


Description

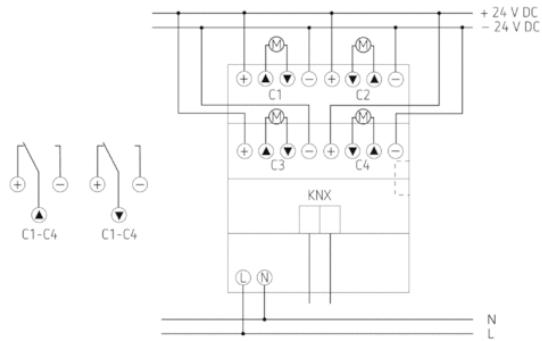


- 4-way blind actuator 24V MIX2
- Base module MIX2
- Can be upgraded to maximum of 12 channels
- For controlling 24V drives for blinds, shutters, sun and vision protection devices, skylights and ventilation flaps
- Up to 2 extension modules can be connected to a base module
- Up to two extension modules MIX or MIX2 can be connected to one base module
- Device and KNX bus module can be swapped independently of each other
- Removable KNX bus module enables devices to be changed without reprogramming
- Manual set-up and use of actuators is possible without KNX bus module
- Free combination of switches, dimming, blinds and heating control as well as binary inputs
- For controlling drives for blinds, shutters, sun and vision protection devices, skylights and ventilation flaps
- Manual operation on device (even without bus connection)
- LED Up and Down switching status display for each channel
- Potential-free contacts for Up and Down per channel
- Setting option for phase sequence and running time of deives
- Copy function for fast configuration

Technical data

Operating voltage KNX	Bus voltage, ~4 mA
Operating voltage	110 – 240 V AC
Stand-by consumption	~0,3 W
Frequency	50 – 60 Hz
Number of channels	4
Width	4 modules
Installation type	DIN rail
Type of connection	Terminal screws Bus connection: KNX bus terminal
Max. cable cross section	Solid wire: 0.5 mm ² (Ø 0.8) to 4 mm ² Stranded wire with end sleeve: 0.5 mm ² to 2.5 mm ²
Type of contact	Changeover contact, 6 A
Switching capacity	6 A (at 24 V DC)
Switching output	Potential-free, not for SELV
Ambient temperature	-5 °C ... +45 °C
Type of protection	IP 20
Protection class	II according to EN 60 730-1

Connection example



Scale drawings

